



DEPARTMENT OF REGULATORY AND ECONOMIC RESOURCES (RER)  
 BOARD AND CODE ADMINISTRATION DIVISION  
**NOTICE OF ACCEPTANCE (NOA)**

MIAMI-DADE COUNTY  
 PRODUCT CONTROL SECTION  
 11805 SW 26 Street, Room 208  
 Miami, Florida 33175-2474  
 T (786) 315-2590 F (786) 315-2599  
[www.miamidade.gov/economy](http://www.miamidade.gov/economy)

**Maxim Industries, Inc.**  
 1630 Terre Colony Court  
 Dallas, TX 75212

**SCOPE:**

This NOA is being issued under the applicable rules and regulations governing the use of construction materials. The documentation submitted has been reviewed and accepted by Miami-Dade County RER-Product Control Section to be used in Miami Dade County and other areas where allowed by the Authority Having Jurisdiction (AHJ).

This NOA shall not be valid after the expiration date stated below. The Miami-Dade County Product Control Section (In Miami Dade County) and/or the AHJ (in areas other than Miami Dade County) reserve the right to have this product or material tested for quality assurance purposes. If this product or material fails to perform in the accepted manner, the manufacturer will incur the expense of such testing and the AHJ may immediately revoke, modify, or suspend the use of such product or material within their jurisdiction. RER reserves the right to revoke this acceptance, if it is determined by Miami-Dade County Product Control Section that this product or material fails to meet the requirements of the applicable building code.

This product is approved as described herein, and has been designed to comply with the Florida Building Code, including the High Velocity Hurricane Zone.

**DESCRIPTION: Model DCM Curb Mount & DSF Self-Flashing Aluminum Skylights**

**APPROVAL DOCUMENT:** Drawing No. MAX0003, titled "Curb Mounted and Self Flashing Skylights", prepared by Maxim Industries, Inc, sheets 1 through 5 of 5, dated 12/03/2013, with revision B dated 07/09/2015, signed and sealed by Robert J. Amoruso, P.E., bearing the Miami-Dade County Product Control revision stamp with the Notice of Acceptance number and expiration date by the Miami-Dade County Product Control Section.

**MISSILE IMPACT RATING: Large and Small Missile Impact Resistant**

**LABELING:** Each unit shall bear a permanent label with the manufacturer's name or logo, city, state, model/series and following statement: "Miami-Dade County Product Control Approved", unless otherwise noted herein.

**RENEWAL** of this NOA shall be considered after a renewal application has been filed and there has been no change in the applicable building code negatively affecting the performance of this product.

**TERMINATION** of this NOA will occur after the expiration date or if there has been a revision or change in the materials, use, and/or manufacture of the product or process. Misuse of this NOA as an endorsement of any product, for sales, advertising or any other purposes shall automatically terminate this NOA. Failure to comply with any section of this NOA shall be cause for termination and removal of NOA.

**ADVERTISEMENT:** The NOA number preceded by the words Miami-Dade County, Florida, and followed by the expiration date may be displayed in advertising literature. If any portion of the NOA is displayed, then it shall be done in its entirety.

**INSPECTION:** A copy of this entire NOA shall be provided to the user by the manufacturer or its distributors and shall be available for inspection at the job site at the request of the Building Official.

This NOA revises NOA # 14-0318.01 and consists of this page 1 and evidence page E-1, as well as approval document mentioned above.

The submitted documentation was reviewed by Carlos M. Utrera, P.E.



*[Signature]*  
 08/31/2015

NOA No. 15-0715.08  
 Expiration Date: February 20, 2019  
 Approval Date: September 10, 2015  
 Page 1

**NOTICE OF ACCEPTANCE: EVIDENCE SUBMITTED**

**A. DRAWINGS**

1. Drawing No. **MAX0003**, titled "Curb Mounted and Self Flashing Skylights", prepared by Maxim Industries, Inc, sheets 1 through 5 of 5, dated 12/03/2013, with revision B dated 07/09/2015, signed and sealed by Robert J. Amoruso, P.E.

**B. TESTS "Submitted under NOA # 14-0318.01"**

1. Test reports on 1) Air Infiltration Test, per FBC, TAS 202-94  
2) Uniform Static Air Pressure Test, Loading per FBC TAS 202-94  
3) Water Resistance Test, per FBC, TAS 202-94  
4) Large Missile Impact Test per FBC, TAS 201-94  
5) Cyclic Wind Pressure Loading per FBC, TAS 203-94  
along with marked-up drawings and installation of Self Flashing and Curb Mount Plastic Glazed Unit Skylights, prepared by Architectural Testing, Inc., Test Report No. **D1032.01-801-18**, dated 10/02/2013, and revision 1 dated 02/24/2014, signed and sealed by Vinu J. Abraham, P.E.

**"Submitted under NOA # 13-1217.24"**

2. Test reports on 1) Air Infiltration Test, per FBC, TAS 202-94  
2) Uniform Static Air Pressure Test, Loading per FBC TAS 202-94  
3) Water Resistance Test, per FBC, TAS 202-94  
4) Large Missile Impact Test per FBC, TAS 201-94  
5) Cyclic Wind Pressure Loading per FBC, TAS 203-94  
along with marked-up drawings and installation of Self Flashing and Curb Mount Plastic Glazed Unit Skylights, prepared by Architectural Testing, Inc, Test Report No. **D1032.01-801-18**, dated 10/02/2013, signed and sealed by Vinu J. Abraham, P.E.

**C. CALCULATIONS "Submitted under NOA # 13-1217.24"**

1. Anchor calculations for substrate installation prepared by PTC Product Design Group, LLC, dated 12/03/2013, signed and sealed by Robert J. Amoruso, P.E.

**D. QUALITY ASSURANCE**


1. Miami-Dade Department of Regulatory and Economic Resources (RER)

**E. MATERIAL CERTIFICATIONS**

1. Notice of acceptance No. **12-0605.05** issued to Bayer MaterialScience LLC (MA), for their Makrolon Polycarbonate Sheets, approved on 12/06/2012 and expiring on 08/27/2017.
2. Notice of acceptance No. **12-0110.04** issued to Palram Americas, Inc, for their Corrugated and Flat Polycarbonate Panels, approved on 02/23/2012 and expiring on 01/22/2016.

**F. STATEMENTS**

1. Statement letter of code conformance to the 5<sup>th</sup> edition (2014) FBC and of no financial interest issued by PTC Product Design Group, LLC, dated 07/09/2015, signed and sealed by Robert J. Amoruso, P.E.

 08/31/2015

Carlos M. Utrera, P.E.

Product Control Examiner

NOA No. 15-0715.08

Expiration Date: February 20, 2019

Approval Date: September 10, 2015

# MAXIM INDUSTRIES, INC.

## CURB MOUNT & SELF-FLASHING SKYLIGHTS

### INSTALLATION ANCHORAGE DETAILS

**GENERAL NOTES:**

1. THIS PRODUCT IS DESIGNED TO COMPLY WITH THE HIGH VELOCITY HURRICANE ZONE (HVHZ) REQUIREMENTS OF THE CURRENT EDITION OF THE FLORIDA BUILDING CODE (FBC). THE PRODUCT DETAILS CONTAINED HEREIN ARE BASED UPON SIGNED AND SEALED TEST REPORT ATI D1032.01-801-18 AND ASSOCIATED LABORATORY DRAWINGS.
2. ADEQUACY OF THE EXISTING STRUCTURAL FRAMING AS A MAIN WIND FORCE RESISTING SYSTEM CAPABLE OF WITHSTANDING AND TRANSFERRING APPLIED PRODUCT LOADS TO THE STRUCTURE IS THE RESPONSIBILITY OF THE ENGINEER OR ARCHITECT OF RECORD.
3. IN AREAS WHERE WIND-BORNE DEBRIS PROTECTION REQUIREMENTS EXIST, USE OF AN APPROVED IMPACT PROTECTIVE SYSTEM IS NOT REQUIRED.
4. MATERIALS:
  - 4.1. SKYLIGHT FRAME MATERIAL: 6063-T5 EXTRUDED ALUMINUM.
  - 4.2. SKYLIGHT INNER AND OUTER DOME MATERIAL: BAYER MATERIALSCIENCE MAKROLON POLYCARBONATE (NOA 12-0605.05) OR PALRAM AMERICAS POLYCARBONATE (NOA 12-0110.04)
5. DESIGNATION "O" STANDS FOR THE A FIXED PANEL
6. IN ACCORDANCE WITH THE CURRENT EDITION OF THE FBC, WOOD BUCKING SHALL HAVE BEEN PRESERVATIVE TREATED OR SHALL BE OF A DURABLE SPECIES.
7. DISSIMILAR METALS INCLUDING FASTENERS THAT MAY COME INTO CONTACT WITH ALUMINUM WINDOW FRAMING SHALL HAVE BEEN PROTECTED IN A MANNER TO PREVENT CORROSION. FASTENERS SHALL BE MADE OF A CORROSION RESISTANT MATERIAL OR HAVE A CORROSION RESISTANT COATING CONSISTENT WITH THE REQUIREMENTS OF THE CURRENT EDITION OF THE FLORIDA BUILDING CODE.

**INSTALLATION NOTES:**

1. ONE (1) INSTALLATION ANCHOR IS REQUIRED AT EACH ANCHOR LOCATION DETAILED.
2. THE MINIMUM NUMBER OF INSTALLATION ANCHORS ARE BASED ON THE FOLLOWING:
  - 2.1. AS REQUIRED ON SHEET 3 (CURB MOUNT) AND SHEET 5 (SELF-FLASHING) BASED ON CORNER END DISTANCE AND ON CENTER SPACING.
  - 2.2. MINIMUM OF ONE FASTENER PER SIDE AND MINIMUM FOUR FASTENERS PER SKYLIGHT ARE REQUIRED BASED ON SKYLIGHT SIZES SMALLER THAN TESTED AND SHOWN ON SHEETS 2 AND 4.
3. FOR INSTALLATION OF SELF-FLASHING SKYLIGHT ONTO WOOD ROOF DECK, USE #12 WOOD SCREWS OF SUFFICIENT LENGTH TO ACHIEVE 1 3/8 INCH MINIMUM EMBEDMENT. MINIMUM EDGE DISTANCE IS 7/8 INCH.
4. FOR INSTALLATION OF CURB MOUNT SKYLIGHT ONTO WOOD CURB, USE #12 WOOD SCREWS OF SUFFICIENT LENGTH TO ACHIEVE 1 3/8 INCH MINIMUM EMBEDMENT. MINIMUM EDGE DISTANCE IS 7/8 INCH.
5. FOR INSTALLATION OF CURB MOUNT SKYLIGHT CURB ONTO WOOD ROOF DECK, USE 12D (0.148" MIN. SHANK DIAMETER) BOX OR COMMON NAILS OR #6 WOOD SCREWS OF SUFFICIENT LENGTH TO ACHIEVE 2 1/8 INCH MINIMUM EMBEDMENT. MINIMUM EDGE DISTANCE IS 5/16 INCH.
6. MINIMUM EMBEDMENT AND EDGE DISTANCE EXCLUDE WALL FINISHES, INCLUDING BUT NOT LIMITED TO STUCCO, FOAM, BRICK VENEER AND SIDING.
7. INSTALLATION ANCHOR CAPACITIES FOR PRODUCTS HEREIN ARE BASED ON WOOD SUBSTRATE MATERIALS WITH MINIMUM SPECIFIC GRAVITY OF 0.55.
8. TOE-NAILING OF CURB MOUNT SKYLIGHT CURB ONTO WOOD ROOF DECK (NOTE 5 ABOVE) SHALL MEET THE FOLLOWING REQUIREMENTS FROM THE 2005 NDS FOR WOOD CONSTRUCTION.
  - 8.1. LENGTH (L) AS REQUIRED TO MEET P, L<sub>s</sub> AND L<sub>m</sub> REQUIREMENTS.
  - 8.2. MIN. EMBEDMENT (P) IS 2.13" FOR BOX NAILS AND 1.60" FOR COMMON NAILS WITH 0.148" DIAMETER.
  - 8.3. MIN. L<sub>s</sub> IS 1.33" FOR BOX NAILS AND 1.0" FOR COMMON NAILS WITH 0.148" SHANK DIAMETER.
  - 8.4. MIN. L<sub>m</sub> IS 2.13" FOR BOX NAILS AND 1.6" FOR COMMON NAILS WITH 0.148" SHANK DIAMETER.

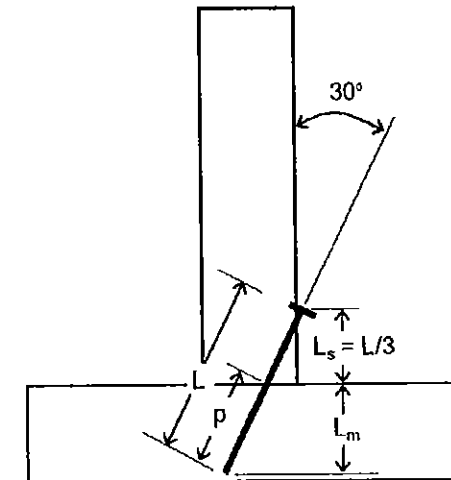


TABLE OF CONTENTS	
SHEET	DESCRIPTION
1	GENERAL AND INSTALLATION NOTES
2	DCM CURB MOUNT - ELEVATION
3	DCM CURB MOUNT - SECTIONS
4	DSF SELF-FLASHING - ELEVATION
5	DSF SELF-FLASHING - SECTIONS

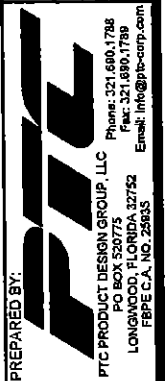
DESIGN PRESSURE RATING (PSF)	IMPACT RATING
+40.0-75.0	LARGE and SMALL MISSILE IMPACT

PROJECT #415-0704

MAXIM INDUSTRIES, INC  
1630 TERRE COLONY COURT  
DALLAS, TX 75212

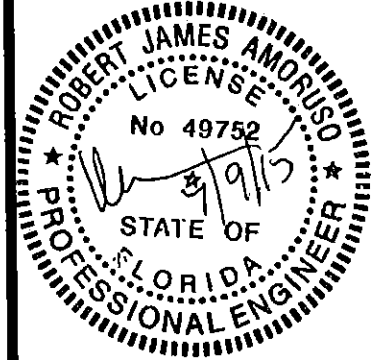
TITLE: CURB MOUNTED AND SELF FLASHING SKYLIGHTS  
GENERAL AND INSTALLATION NOTES

DRAWN BY: RJA  
SCALE: N.T.S.  
DATE: 12/03/13  
DRAWING NO: MAX0003  
SHEET: 1 OF 5



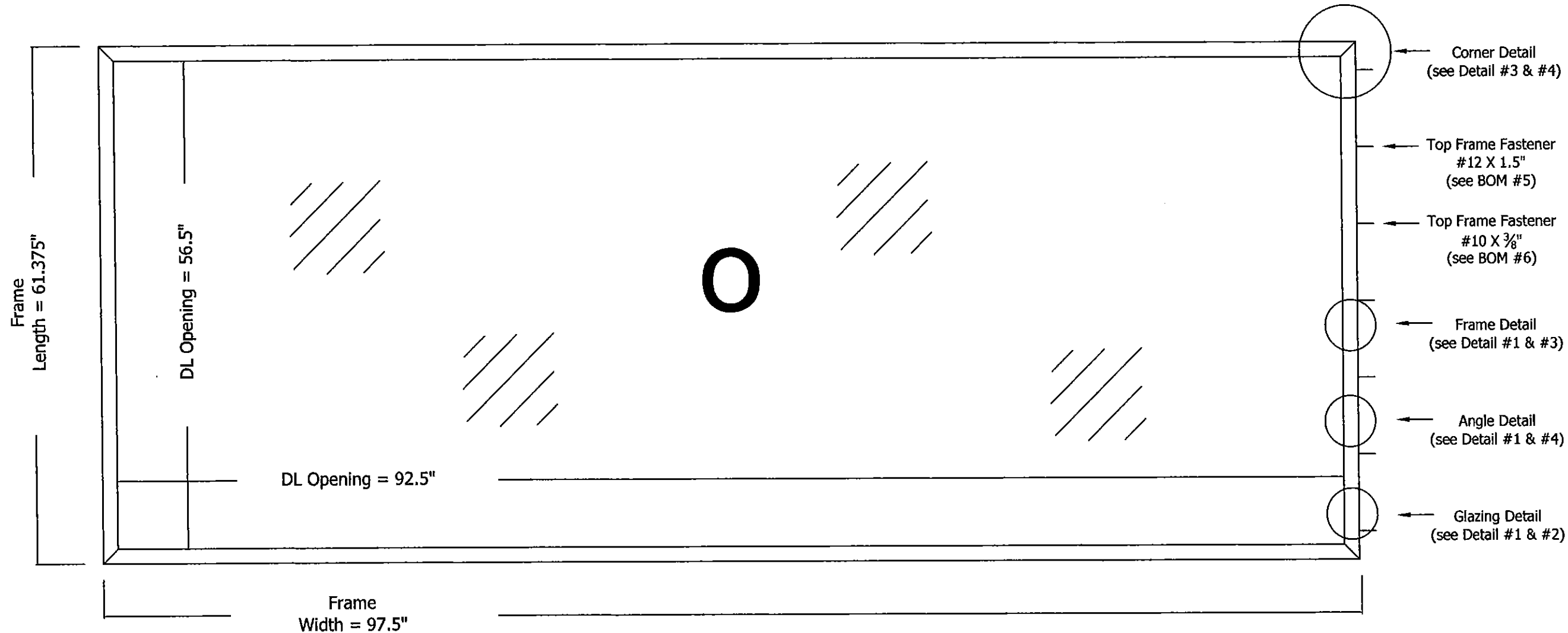
PRODUCT REVISED  
as complying with the Florida  
Building Code  
Acceptance No: 15-0715-08  
Expiration Date: 02/20/2019  
By: *[Signature]*  
Miami Code Product Control

Robert J. Amoruso, P.E.  
Florida P.E. No. 49752



# DCM CURB MOUNT - ELEVATION

DESIGN PRESSURE = +40psf / -75psf



**Notes:**

1. This skylight is designed to comply with all wind zones, including the HVHZ, of the Florida Building Code.
2. This skylight meets small & large missile impact resistance (TAS-201/TAS-203) and no other protection is required.
3. All framing and roof deck is by others and must comply with the Florida Building Code.
4. All sizes equal to or less than the test size total square footage are to be accepted under this NOA.
5. Fasteners used to attach skylight to wood curb are to be minimum #12 stainless steel wood screws with minimum embedment of 1.375"

**Bill of Materials:**

1. 6063-T5 Extruded Aluminum Frame mitered and welded at four corners. Manufacturer: AFCO Part #4950
2. 6063-T5 Extruded Aluminum Angle mitered and welded at four corners. Manufacturer: AFCO Part #4843
3. Dow Corning 795 Silicone Building Sealant located between aluminum angle & glazing (glass bite)
4. 0.125" UV Enhanced polycarbonate domes. Rise varies but is not less than 10% of the smaller dimension of the length or width. Test specimen = 10" outer dome & 7" inner dome. Manufacturer: Bayer MaterialScience LLC (MA) or PalRam Americas
5. #12 x 1" Stainless Steel Tapping Screw with neoprene gasket. Fasteners located 12" from each corner, maximum 12" on center. Minimum one fastener per side and minimum four fasteners per skylight.
6. #10 X 0.375" Stainless Steel fasteners 4" from each corner, maximum 12" on center.
7. Schnee-Morehead SM5127 0.6250" X 0.125" Sealant tape.

PROJECT #415-0704

MAXIM INDUSTRIES, INC  
1630 TERRE COLONY COURT  
DALLAS, TX 75212

TITLE: CURB MOUNTED AND SELF FLASHING SKYLIGHTS  
DCM CURB MOUNT - ELEVATION

PREPARED BY: RJA  
DRAWN BY: RJA  
SCALE: N.T.S.  
REV: B

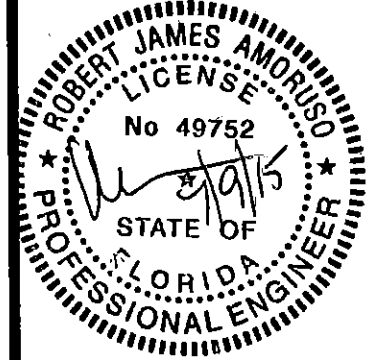
DATE: 12/03/13  
DRAWING NO: MAX0003  
SHEET: 2 OF 5

REV: A  
DESCRIPTION: REVERSED DOME SEALANT PER REVERSED TEST REPORT  
DATE: 2/28/14  
BY: RJA

PTC PRODUCT DESIGN GROUP, LLC  
PO BOX 520775  
LONG BEACH, CA 90803  
PHONE: 321.690.1788  
FAX: 321.690.1739  
EMAIL: info@ptc-corp.com

PRODUCT REVISED  
as complying with the Florida Building Code  
Acceptance No: 15-0715-08  
Expiration Date: 02/20/2019  
By: *[Signature]*  
Miami Made Product Control

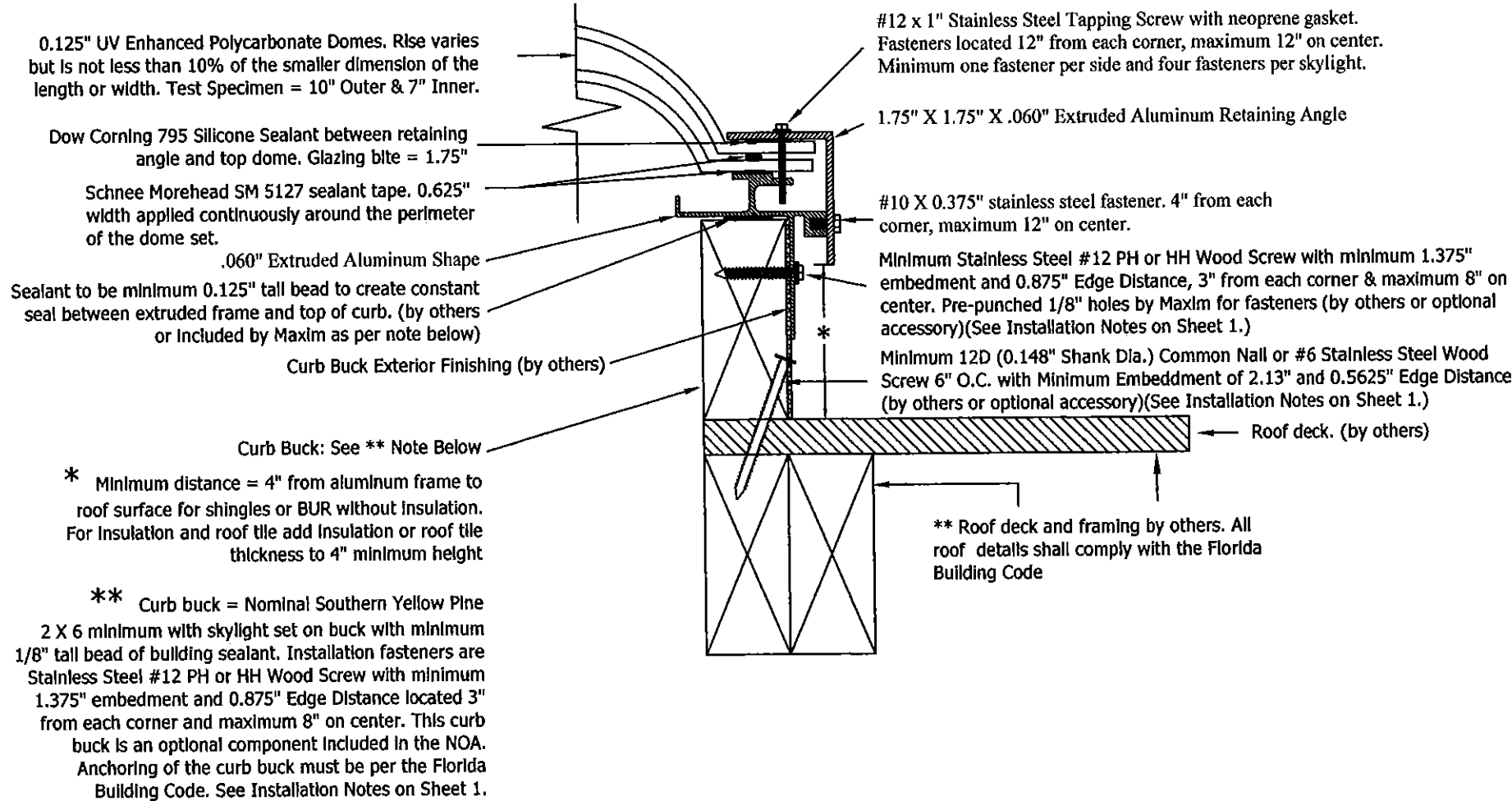
Robert J. Amoroso, P.E.  
Florida P.E. No. 49752



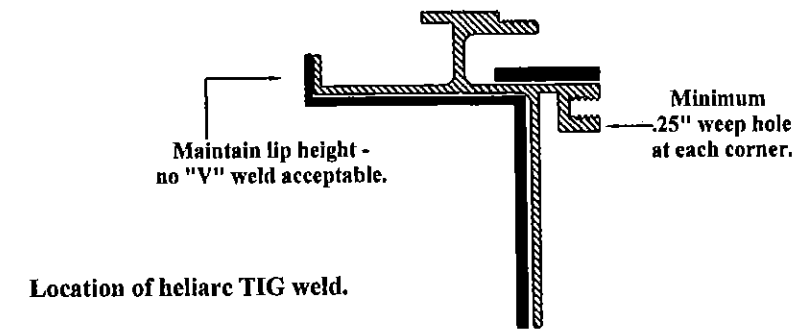
# DCM CURB MOUNT - SECTIONS

DESIGN PRESSURE = +40psf / -75psf

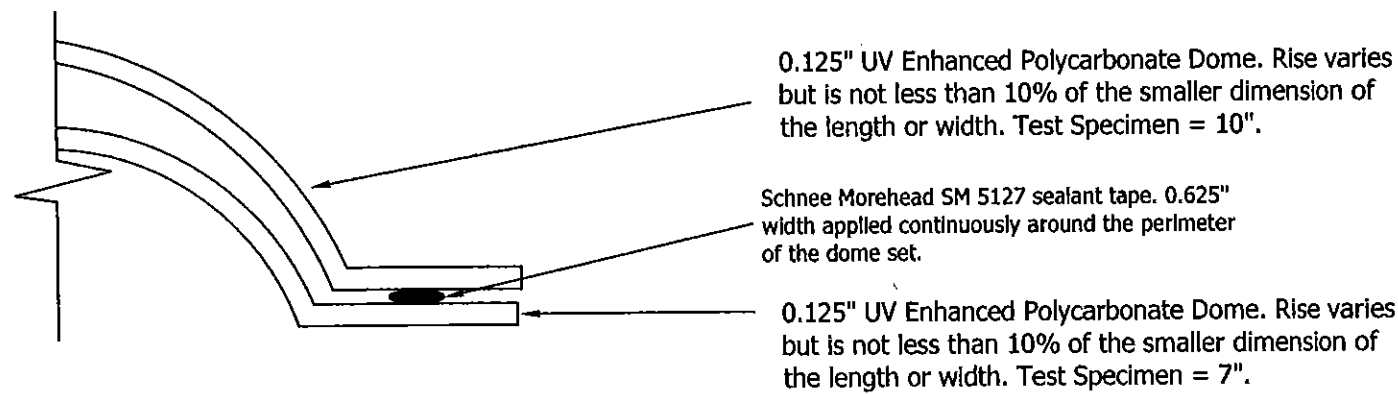
**Detail #1:  
Frame, Angle & Glazing Section Detail**



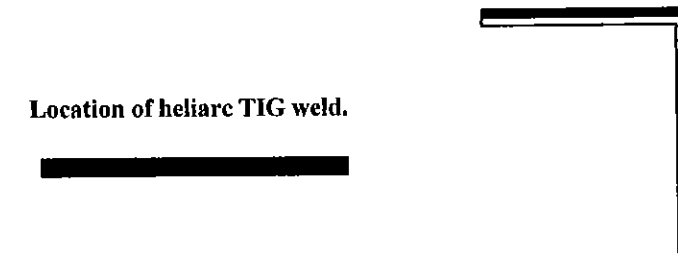
**Detail #3  
Aluminum Shape Weld Detail  
AFCO Part #AF-4950**



**Detail #2  
Glazing Detail**



**Detail #4  
Aluminum Angle Corner Weld Detail  
AFCO Part #AF-4843**



PROJECT #415-0704

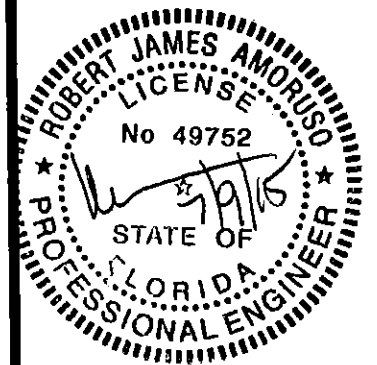
BY	RJA	DATE	DESCRIPTION
REV	A	2/26/14	REVISED DOME SEALANT PER REVISED TEST REPORT
REV	B	7/9/15	UPDATED TO THE 5TH EDITION (2014) FBC

MAXIM INDUSTRIES, INC 1630 TERRE COLONY COURT DALLAS, TX 75212	DATE 12/03/13	DRAWING NO. MAX0003	SHEET 3 OF 5
TITLE CURB MOUNTED AND SELF FLASHING SKYLIGHTS DCM CURB MOUNT - SECTIONS	DRAWN BY RJA	SCALE N.T.S.	REV B
PREPARED BY <b>PTC</b>	PTC PRODUCT DESIGN GROUP, LLC P.O. BOX 520775 LONGWOOD, FLORIDA 32752 PHONE: 321.690.1788 FAX: 321.690.1789 EMAIL: info@ptc-comp.com		

PRODUCT REVISED  
to comply with the Florida  
Building Code  
Acceptance No. 15-0715-08  
Expiration Date 02/20/2019

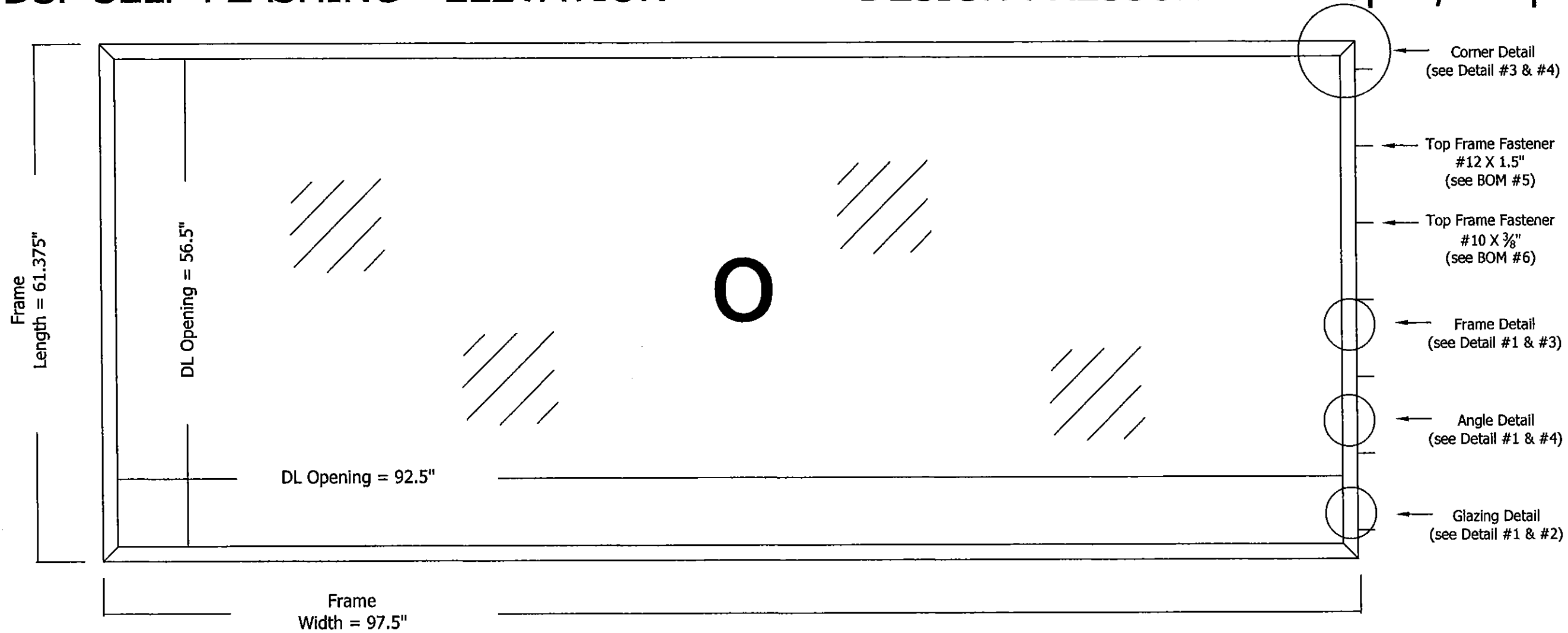
By *[Signature]*  
Miami Data Product Control

Robert J. Amoroso, P.E.  
Florida P.E. No. 49752



# DSF SELF-FLASHING - ELEVATION

DESIGN PRESSURE = +40psf / -75psf



**Notes:**

1. This skylight is designed to comply with all wind zones, including the HVHZ, of the Florida Building Code.
2. This skylight meets small & large missile impact resistance (TAS-201/TAS-203) and no other protection is required.
3. All framing and roof deck is by others and must comply with the Florida Building Code.
4. All sizes equal to or less than the test size total square footage are to be accepted under this NOA.
5. Fasteners used to attach skylight to the existing roof structure are to be minimum #12 stainless steel wood screws with minimum embedment of 1.375"

**Bill of Materials:**

1. 6063-T5 Extruded Aluminum Frame mitered and welded at four corners. Manufacturer: AFCCO Part #4951
2. 6063-T5 Extruded Aluminum Angle mitered and welded at four corners. Manufacturer: AFCCO Part #4843
3. Dow Corning 795 Silicone Building Sealant located between aluminum angle & glazing (glass bite)
4. 0.125" UV Enhanced polycarbonate domes. Rise varies but is not less than 10% of the smaller dimension of the length or width. Test specimen = 10" outer dome & 7" inner dome. Manufacturer: Bayer MaterialScience LLC (MA) or PalRam Americas
5. #12 x 1" Stainless Steel Tapping Screw with neoprene gasket. Fasteners located 12" from each corner, maximum 12" on center. Minimum one fastener per side and minimum four fasteners per skylight.
6. #10 X 0.375" Stainless Steel fasteners 4" from each corner, maximum 12" on center.
7. Schnee-Morehead SM5127 0.6250" X 0.125" Sealant tape.

PROJECT #415-0704

	RJA	RJA	BY
	7/8/15	2/28/14	DATE
B	UPDATED TO THE 5TH EDITION (2014) FBC	REVISED DOME SEALANT PER REVISED TEST REPORT	DESCRIPTION
A			REV

MAXIM INDUSTRIES, INC  
1630 TERRE COLONY COURT  
DALLAS, TX 75212

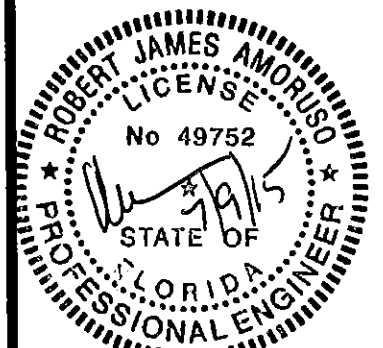
TITLE: CURB MOUNTED AND SELF FLASHING SKYLIGHTS  
DSF SELF-FLASHING - ELEVATION

DATE:	12/03/13
DRAWN BY:	RJA
SCALE:	N.T.S.
DRAWING NO.:	MAX0003
REV:	B
SHEET:	4 OF 5

PREPARED BY: **FC**  
PTC PRODUCT DESIGN GROUP, LLC  
PO BOX 220775  
LONGWOOD, FLORIDA 32792  
Phone: 321.890.1788  
Fax: 321.890.1789  
Email: info@ptc-corp.com  
PBP CA, INC. 23933

PRODUCT REVISED  
as complying with the Florida  
Building Code  
Acceptance No 15-0715-08  
Expiration Date 02/20/2019  
By *[Signature]*  
Miami Dade Product Control

Robert J. Amoroso, P.E.  
Florida P.E. No. 49752

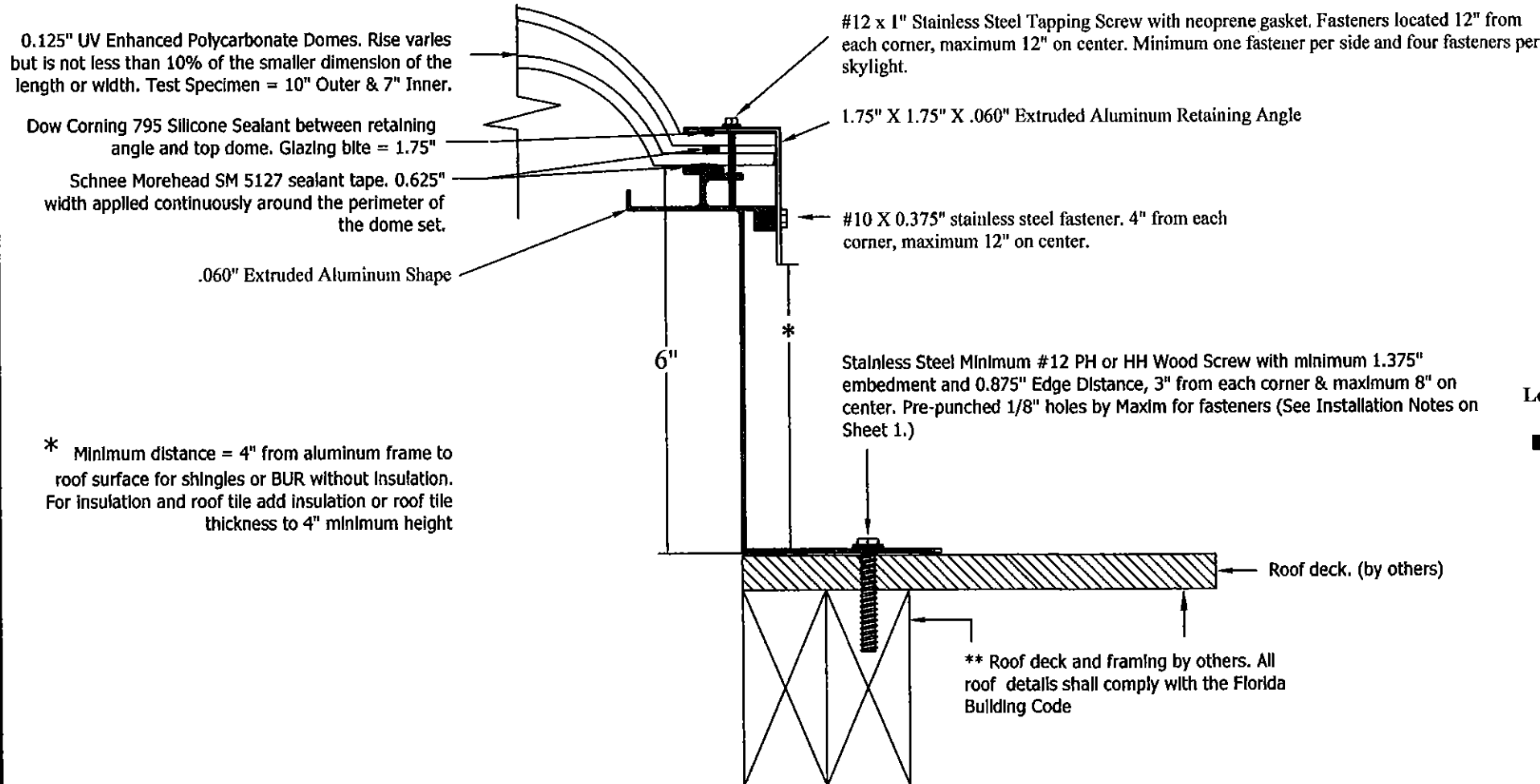


# DSF SELF-FLASHING - SECTIONS

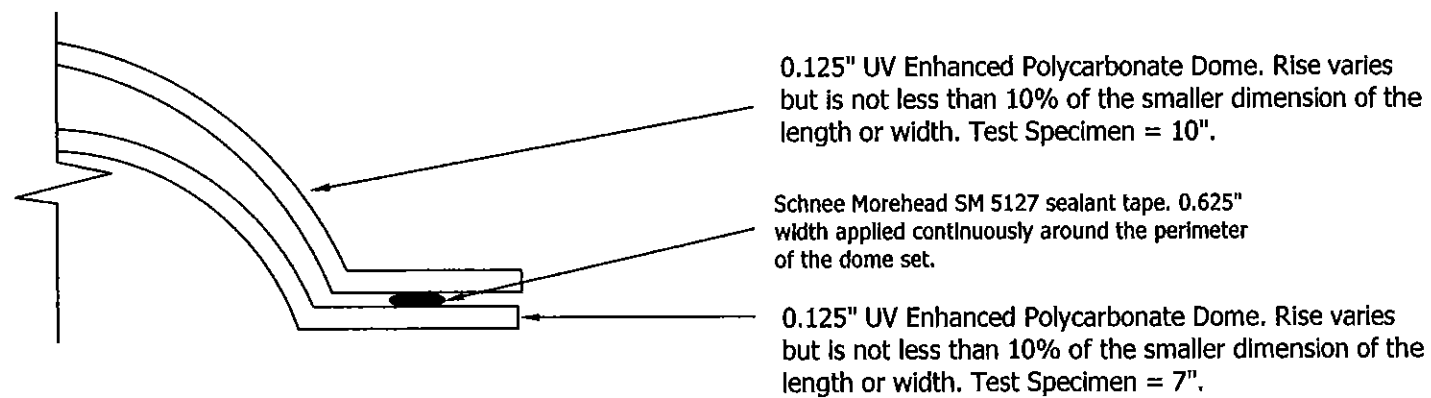
DESIGN PRESSURE = +40psf / -75psf

Detail #1:

Frame, Angle & Glazing Section Detail

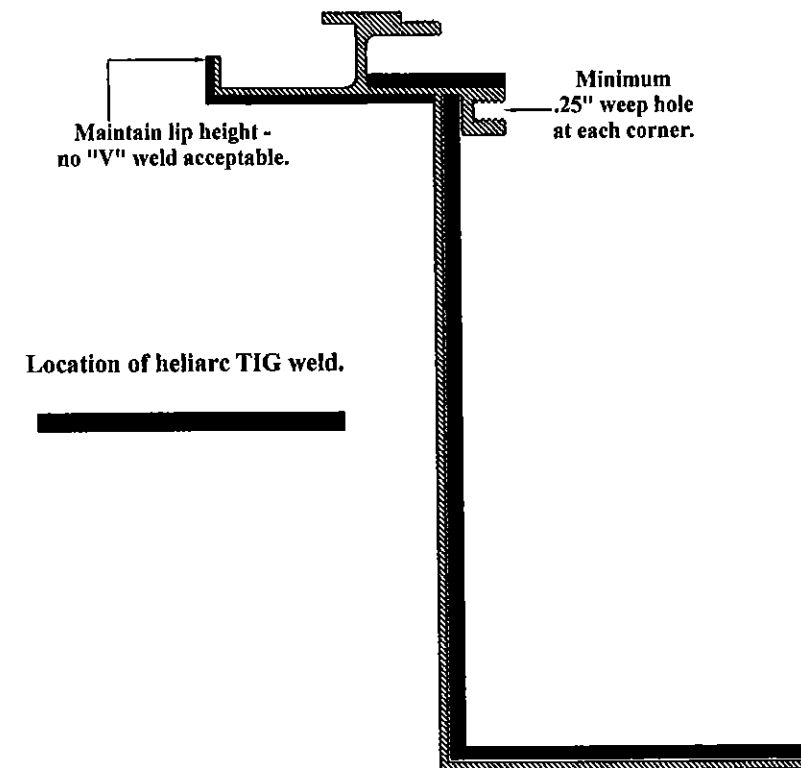


Detail #2  
Glazing Detail

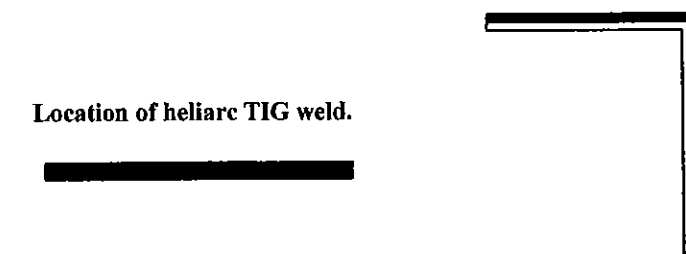


Detail #3

Aluminum Shape Weld Detail  
AFCO Part #4951



Detail #4  
Aluminum Angle Corner Weld Detail  
AFCO Part #4843



PROJECT #415-0704

MAXIM INDUSTRIES, INC  
1630 TERRE COLONY COURT  
DALLAS, TX 75212

TITLE: CURB MOUNTED AND SELF FLASHING SKYLIGHTS  
DSF SELF-FLASHING - SECTIONS

PREPARED BY: RJA  
SCALE: N.T.S.  
DATE: 12/03/13  
DRAWING NO: MAX0003  
SHEET: 5 OF 5

REV	DESCRIPTION	DATE	BY
B	UPDATED TO THE 5TH EDITION (2014) FBC	7/9/15	RJA
A	REVISED DOME SEALANT PER REVISED TEST REPORT	2/26/14	RJA

PRODUCT REVISED as complying with the Florida Building Code  
Acceptance No 15-0715-08  
Expiration Date 02/20/2019  
By *[Signature]*  
Miami Dade Product Control

Robert J. Amoruso, P.E.  
Florida P.E. No. 49752